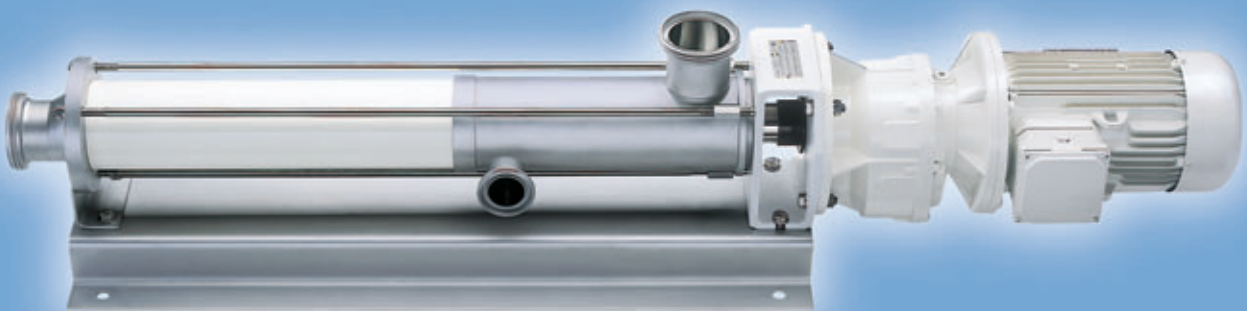


**seepex.com**  
all things flow

Here is your conveying solution:  
Product group CS.



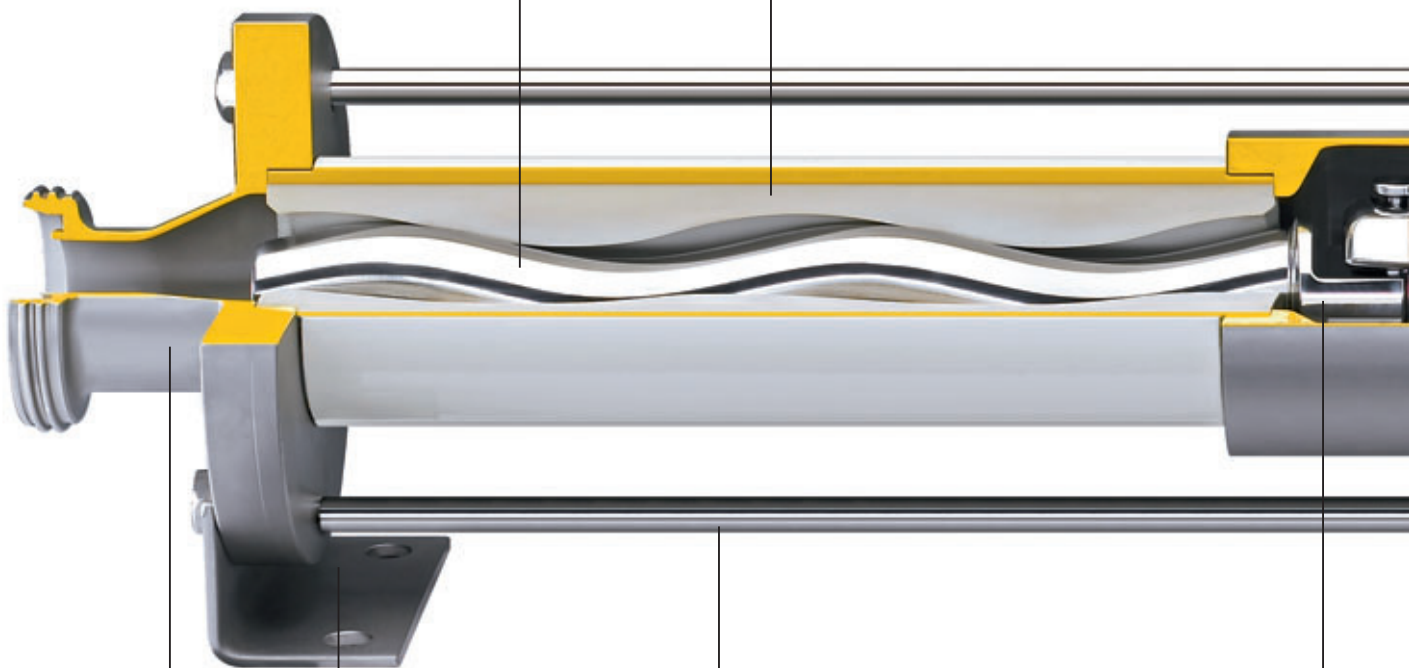
# CS – Food grade pumps

The 3 product ranges of the CS product group are used primarily in the food, pharmaceutical, cosmetics and chemical industries. "C" stands for CIP (Cleaning in Place) and "S" for SIP-capability (Sterilisation In Place) of the pumps. CS pumps satisfy the highest requirements with regard to gentle conveying, sanitation, cleaning and sterilisation. They are certified acc. to the 3-A Sanitary Standard of the US and designed in compliance with the EHEDG directives.

**Coupling rod**  
made of stainless steel for power transmission, available with propellers or feed screw.

**Rotor**  
wear resistant and corrosion-proof materials. Alternatively with additional surface treatment.

**Stator**  
in standard design or with even wall thickness. The seal on both ends is moulded as an integral part of the elastomeric stator; corrosion of the stator tube is never a problem because the pumped liquid never comes into contact with the metal tube or the bonding adhesive.



**Support**  
made of stainless steel, satin finish for superior resistance to corrosive cleaning and sanitizing chemicals.

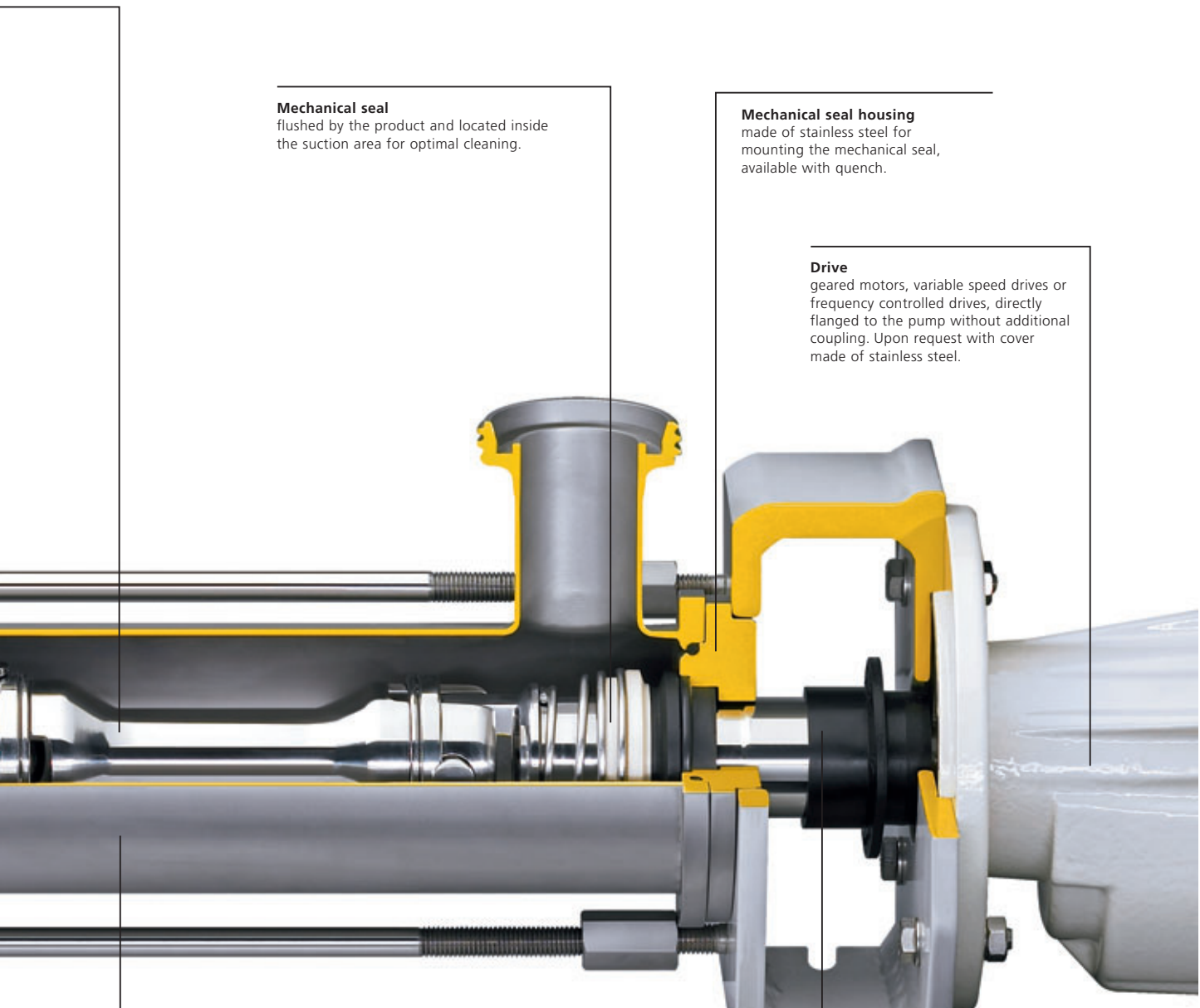
**Pressure branch**  
made of stainless steel, with internally polished finish and externally satin finish. Designed with almost no "dead zones" and features to allow complete draining. Standard connection to DIN 11851, 11864 or Tri Clamp® alternatives.

**Open fork joint**  
for transmission of power, BCSO model designed as an open "hygienic joint" for optimum cleaning as well as highest resistance to corrosion and wear. Service-friendly due to assembly without special tools. Range BCSB designed with closed pin joint.

**Open pin joint**  
newly developed hygienic joint, designed for higher pressures and flow rates.

(see detail)

**Tie bolts**  
and all other fittings are corrosion proof.



**Mechanical seal**  
flushed by the product and located inside the suction area for optimal cleaning.

**Mechanical seal housing**  
made of stainless steel for mounting the mechanical seal, available with quench.

**Drive**  
geared motors, variable speed drives or frequency controlled drives, directly flanged to the pump without additional coupling. Upon request with cover made of stainless steel.

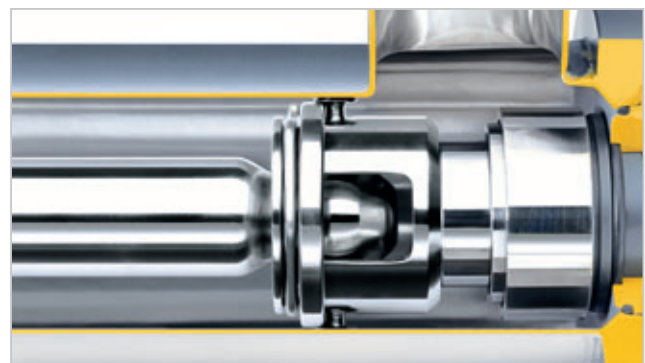
**Plug-in shaft connection**  
for easy dismantling of the pump and drive enabling quick replacement of the rotating parts and shaft seals. The plug-in shaft pin secures the shaft connection to the drive and the splash ring protects the bearing from contamination/gland leakage.

**Plug-in shaft**  
made of stainless steel. Open design for easy CIP and designed to mount the mechanical seal.

**Lantern**  
in corrosion resistant design, optionally made of stainless steel, for connection of pump and drive and to secure the assembly to the base-plate or skid.

**Suction casing**  
made of stainless steel, internally polished external satin finish. Almost "Dead zone free" design with suction connection above the mechanical seal enables CIP solutions to flow through the entire casing. Choice of off-set CIP-connection for almost residue-free cleaning and complete draining. Options with jackets for heating. Standard connections according to DIN 11851, 11864 or Tri Clamp®.

**Detail: Open pin joint**



# Why food grade pumps?

Because they are used in applications such as agriculture, brewing industry and distilleries, chemical and biochemical industry, confectionery industry, dough processing and bakeries, fruit and vegetable processing, milk and dairy industry, pharmaceutical and cosmetics industry, poultry and meat processing and wine industry.

## Features

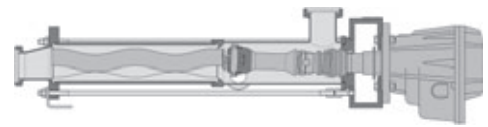
- Gentle handling of flowable and high viscosity products with controllable flows and pressures
  - Easy cleaning: optimised pump casing designs with minimal residual volume that provide simple CIP operations
  - Service-friendly with easily disassembled universal joints
  - Sanitary mechanical seals selected for the respective application
  - Stator materials and secondary seals with FDA approval available
  - SIP with steam is an available option with cycled operation of the pump
- > Conveying capacity: 30 l/h–130 m<sup>3</sup>/h (0.13 GPM–575 GPM),  
Pressure: up to 24 bar (360 psi)

# Overview of ranges

The pumps of the BCSO range are equipped with open hygienic joints that can be cleaned without leaving residues through CIP continuous cleaning. They meet highest demands on hygienic cleanliness and on corrosion and wear resistance. The open fork joint features an especially shaped coupling rod and the rotor or plug-in shaft head. Apart from that, it is made up of only a few components. For higher pressures and conveying capacities, seepex additionally offers a newly developed, open pin joint. Service work can be performed easily and rapidly without the need for special tools. They are certified acc. to the 3-A Sanitary Standard of the US and designed in compliance with the EHEDG directives.

## Range BCSO

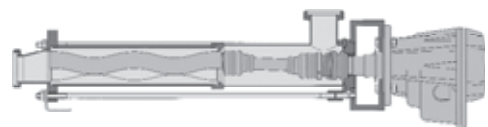
---



The pumps of the BCSB range differ from those of range BCSO in their joint design. The BCSB range is equipped with the proven, closed pin joints from the seepex pumps of the BN/NS ranges. These cost-efficient and wear-resistant pin joints are filled with a special grease approved for the food sector and sealed through a resilient universal joint sleeve and holding bands. They are suited for use with abrasive conveying media and high operating pressures.

## Range BCSB

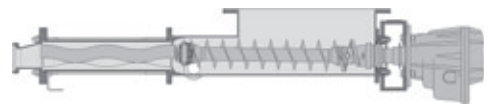
---



The BTCS range features a feed hopper with a cylindrical/conical compression zone. Highly-viscous conveying media with a low degree of flowability are fed to the conveying elements rotor and stator through the auger feed screw on the coupling rod. Optimum filling of the conveying chamber is achieved through the priming pressure generated in the compression zone. The pumps of the BTCS range are optionally equipped with the open, service-friendly joints or with the proven, closed pin joints.

## Range BTCS

---



**seepex.com**

all things flow

And what can we get flowing for you? Your nearest contact:

Or visit [www.seepex.com](http://www.seepex.com)

CS 4.08E